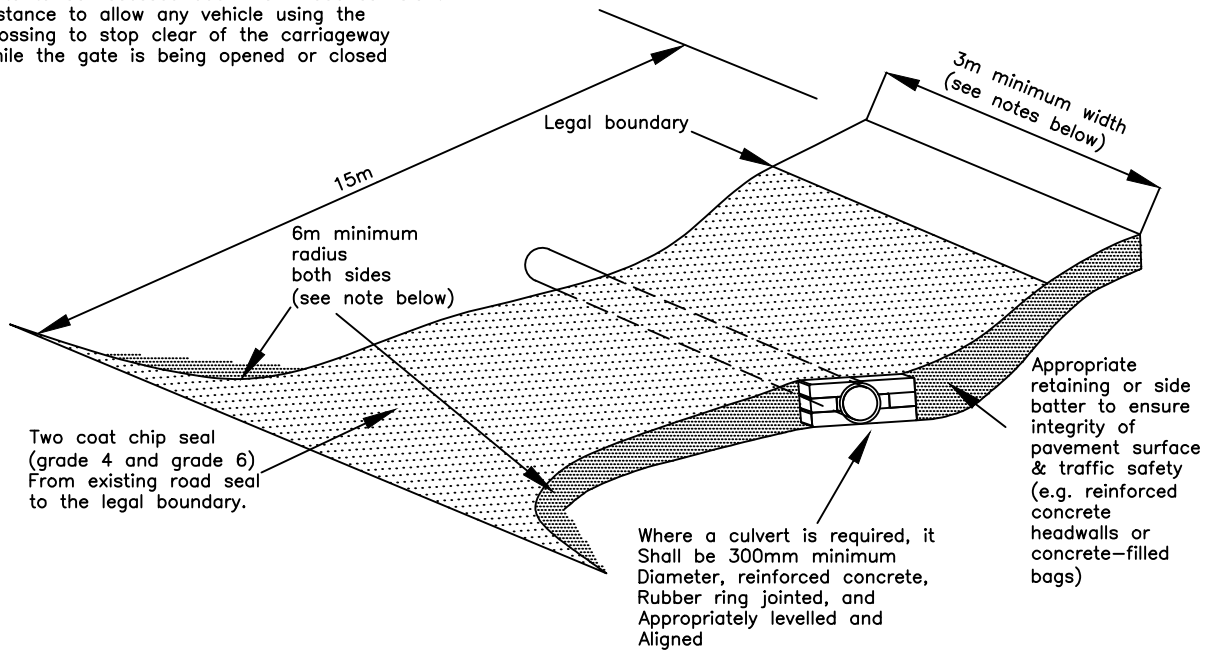



Gate to be recessed back from road sufficient distance to allow any vehicle using the crossing to stop clear of the carriageway while the gate is being opened or closed



NOTES:

1. This drawing applies to standard rural vehicle crossings only.
2. The minimum width of a residential vehicle crossing is 3m at the boundary (15m at the road edge allowing for 6m radius each side). The crossing shall be of sufficient width to ensure that vehicles can both enter and exit from the correct side of the road without crossing the road centre line.
3. The minimum width of a shared residential vehicle crossing is 6m at the boundary (24m at the road edge allowing for 6m radius each side). The crossing shall be of sufficient width to ensure that vehicles can both enter and exit from the correct side of the road without crossing the road centre line.
4. The minimum width of a commercial vehicle crossing is 6m at the boundary (36m at the road edge allowing for 15m radius each side). The crossing shall be of sufficient width to ensure that vehicles can both enter and exit from the correct side of the road without crossing the road centre line.
5. The existing ground is to be excavated down to the solid bearing and a minimum of 300mm depth of Metal placed and compacted.
6. Where the existing carriageway is sealed or paved, the vehicle crossing is to be sealed with a grade 4 and 6, two-coat chip seal to the legal boundary from the existing road edge.
7. Where practical, the crossing is to be dished to avoid runoff from the road into the property, or vice versa.
8. Where the road environment dictates (such as steep gradients, etc.), specific design is required. Consult The council engineer.
9. The location of all new vehicle crossings must be approved by council to ensure that site distances are met in accordance with the district plan.
10. Contact telecommunications, power, and gas companies and the Manawatu or Rangitikei district council for location of services prior to commencing any works.

	INITIALS	DATE	  <small>INFRASTRUCTURE SHARED SERVICES</small> RURAL VEHICLE CROSSING	Stamp Status		
DESIGN	M.T.	13/08/13		6021		
DRAWN	C.R.	13/08/13		Scale		
CHECKED	M.T.	13/08/13		DO NOTSCALE		
APPROVED	W.K.	10/03/14		Drawing No.	Sheet No.	Rev.
			1	23.3	A	