

From: Carolyn Bates

To: Marton Community Committee

MCC: Street Signs to consider

Following Dave Wilson's prompt regarding improving Street Signage, I present some options to consider. I saw the Walters Starburst and thought to utilise the Wagon Wheel, with the Street Name or Location in the centre. Alternatives are grouped together as I saw similarities.



Wooden Signs



One Colour

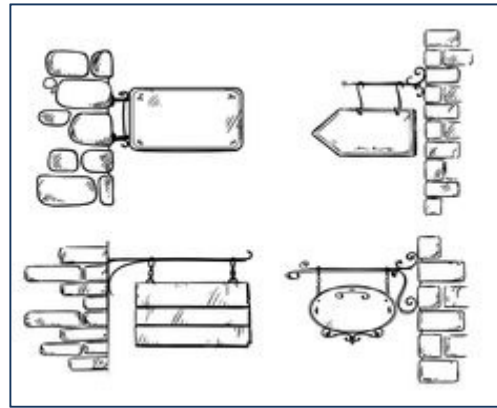
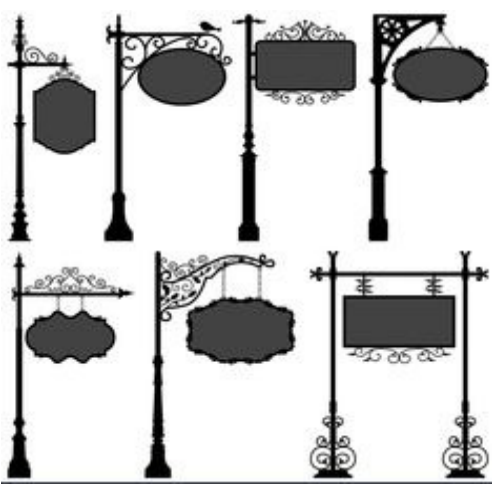
The Map is useful



Wagon Wheel



MCC: Street Signs to consider
Older types



MCC: Street Signs to consider

Descriptive



MCC: Street Signs to consider
Colourful



MCC: Street Signs to consider

Unusual

